

Project: _____ Location: _____ Type: _____

Model Number: _____ Qty: _____ Notes: _____ Date: _____



The LED Skylight is a versatile lighting solution, ideal for a range of environments such as offices, healthcare facilities, and educational institutions. Available in 2x2 and 2x4 sizes, it provides natural daylight-like illumination with adjustable color temperatures from 2,500K to 10,000K, simulating natural sunlight to enhance comfort and productivity. The LED Skylight is available in two options: a version with a serene cloud pattern and one that mimics a clear blue sky. It features an advanced wall controller, allowing users to easily program and control its functions to suit different lighting needs. Easy to install with minimal wiring, the skylight delivers glare-free, high-quality illumination, making it perfect for a variety of settings.

Lighting:

- Simulates natural daylight with adjustable CCT from 2,500K to 10,000K
- Available in two styles: serene cloud pattern or clear blue sky
- High CRI of 93-98 for true-to-life color rendering
- Lux at 3 Meters: 3,000-4,000 Lux (120cm x 60cm)
2,000-2,600 Lux (60cm x 60cm)
- Lighting Spot at 3 Meters: 1,400mm x 700mm (120cm x 60cm)
700mm x 700mm (60cm x 60cm)
- Luminous Intensity: 120,000 cd (120cm x 60cm) / 41,800 cd (60cm x 60cm)

Installation:

- Available in standard sizes: 2x2 and 2x4
- Option for recessed or surface mounting
- Can be custom framed to fit specific architectural requirements

Electrical:

- Power: 150W-165W (120cm x 60cm) / 88W/98W (60cm x 60cm)
- 100-277 volts
- 12/24V controller (transformer not included)
- 1-100% Dimmable range

Details:

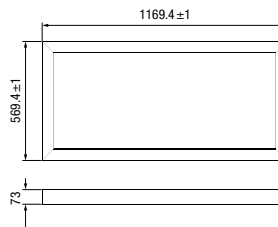
- Wall-mounted control panel with manual and automatic daylight cycle modes
- Full control over lighting ambiance to suit specific needs
- Adjustable settings based on geographic location and seasonal changes
- One controller can manage multiple LED Skylights separately or up to 64 LED Skylights together
- Designed to enhance comfort and productivity by simulating natural sunlight
- Optional mobile app control for remote adjustments

Certifications:

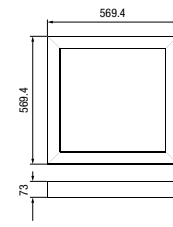
- 5 years warranty
- Estimated lifespan of over 50 000 hours
- cETLus

Dimensions:

120cm X 60cm
Dimensions (mm)



60cm X 60cm
Dimensions (mm)



ORDERING GUIDE

| SERIES | DIMENSION | FRAMING | MOUNTING | LENS | CONTROL |
|-----------------|----------------------|----------------------------|---|--------------------------------|--|
| GLI-LSKY | | | | | |
| | 24 - 2 x 4 ft | RM - Recessed frame | SM - Single mounting | CP - Cloud Pattern Lens | WMC -Wall mount controller 12/24V |
| | 22 - 2 x 2 ft | SM - Surface frame | AM - Dual mounting MM - Multi mounting | CS - Clear Sky Lens | PC -Phone app control DL - DALI control |

| FINISH | OPTIONS |
|------------------------------|--------------------------------|
| | APPEND REQUIRED CODES |
| WH - White (standard) | FC - Frame coupling kit |
| CF - Custom | |

Notes:

1. Non-standard option. May be subject to additional lead time and MOQ. Discuss with a sales representative.

Cloud Pattern Lens



Clear Sky Lens



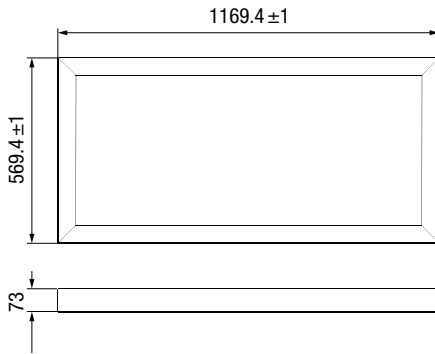
SPECIFICATIONS

| | | 1200MM X 600MM LED SKYLIGHT | 600MM X 600MM LED SKYLIGHT |
|-----------------------|---|------------------------------------|-----------------------------------|
| | | Recessed 1200 x 600 x 67 | Recessed 600 x 600 x 67 |
| Dimension | mm | Surface Mounted 1280 x 680 x 88 | Surface Mounted 680 x 680 x 88 |
| Weight | kg | 16 | 7.7 |
| Power | W | 150-165 | 88-98 |
| Voltage* | V | 100-277V | 100-277V |
| Current | A | 0.6-1.6 | 0.4-1.2 |
| Power Factor | PF | 0.95 | |
| Dimmable Range | % | 1 to 100 | 1 to 100 |
| 3m Lux | Lux | 3,000-4,000 | 2,000-2,600 |
| 3m Lighting Spot | mm | 1,400*700 | 700*700 |
| Luminous Intensity | cd | 120,000 | 41,800 |
| CCT | K | 2,500 to 10,000 | 2,500 to 10,000 |
| CRI | Ra | 93-98 | |
| Controls | Wall Mounted Controller / Mobile App / DALI | | |
| Operating Temperature | C | -20 to +40 | -20 to +40 |
| Certifications | cETLus | | |
| Lifetime | H | 50,000 | 50,000 |

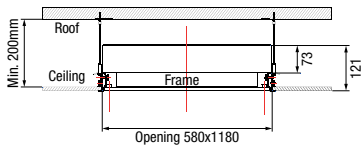
DIMENSIONS

4ft X 2ft (120cm X 60cm)

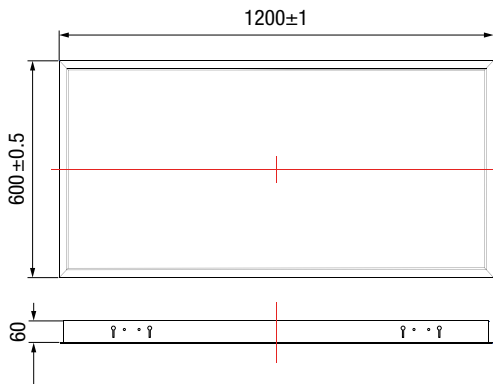
Fixture Dimensions (mm)



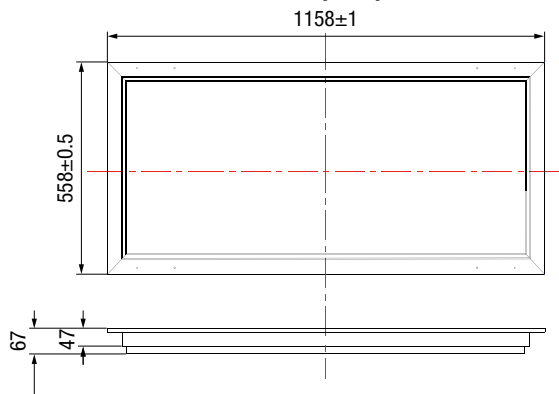
Installation Space Requirements (mm)



Holding Frame Dimensions (mm)

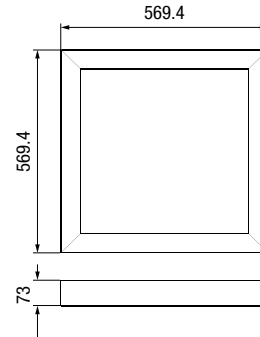


Front Frame Dimensions (mm)

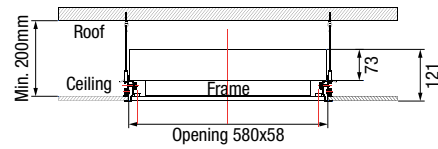


2ft X 2ft (60cm X 60cm)

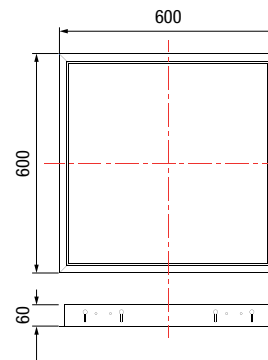
Fixture Dimensions (mm)



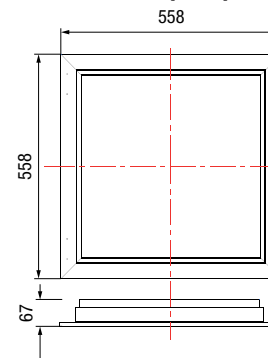
Installation Space Requirements (mm)



Holding Frame Dimensions (mm)



Front Frame Dimensions (mm)



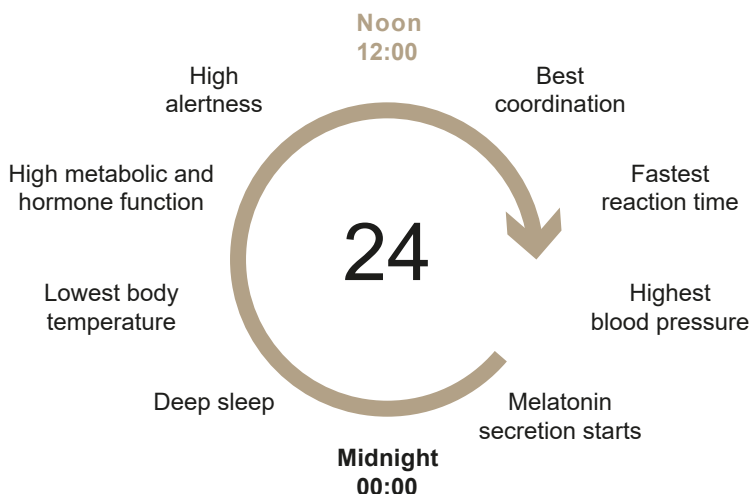
LIGHTING

Our internal biological clocks are naturally synchronized with the daylight cycle, and numerous studies have shown that exposure to abundant natural light brings a wide array of health benefits. In today's indoor-centric world, LED Skylights offer a powerful solution by replicating the effects of sunlight. By mimicking natural daylight, LED Skylights help create environments that support overall health and wellness, making them ideal for spaces like offices, healthcare facilities, and educational settings. These innovative skylights are designed not only to improve physical health but also to foster emotional well-being and enhance productivity.

- Enhanced cognitive performance and focus
- Improved regulation of the sleep/wake cycle
- Reduced eye strain and fatigue
- Boosted collagen production for healthier skin
- Optimized metabolism and energy levels
- Increased blood circulation
- Elevated mood and overall well-being

In Harmony with Your Circadian Rhythm

Easily synchronize your LED Skylight with the natural daylight cycle using our intuitive mobile app or wall-mounted controller. This allows you to effortlessly adjust the lighting to match the time of day, promoting a healthier sleep/wake cycle, improved mood, and enhanced productivity throughout the day.



Full control over the lighting ambiance

Tailor the lighting environment to your specific needs, adjusting based on geographic location and seasonal changes. With the LED Skylight, you can modify brightness, sunlight levels, and color temperature to suit any setting. The skylight offers a dimmable range from 1% to 100%, giving you complete control over the lighting ambiance, from soft, warm hues to bright daylight.



Night



Sunrise



Morning



Noon



Afternoon



Sunset

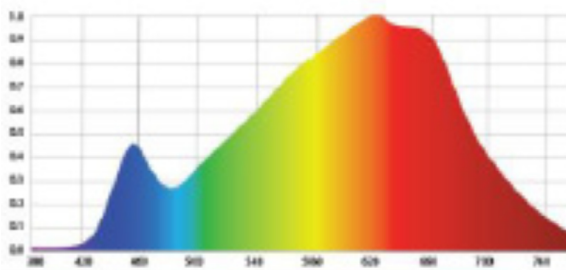
LIGHTING

Why choose an LED Skylight

Sunlight in its purest form has a temperature of around 5,000 degrees Kelvin and a Color Rendering Index (CRI) of 100. The Color Rendering Index is a scale from 0 to 100 percent; it indicates how accurately a given light source renders color. As sunlight comes into contact with the Earth's atmosphere and is reflected and refracted by water and dust particles, the color temperature actually changes throughout the day ranging anywhere from 5,000 to 6,000 degrees Kelvin depending on the time of day and the amount of cloud cover.

How does it work?

Pure sunlight has a color temperature of around 5,000 Kelvin and a Color Rendering Index (CRI) of 100. The CRI measures how accurately a light source reproduces colors on a scale from 0 to 100, with sunlight being the benchmark for perfect color accuracy. As sunlight passes through the Earth's atmosphere, it interacts with water, dust particles, and other atmospheric elements, causing the color temperature to vary throughout the day. Depending on the time of day and cloud cover, this temperature can range between 5,000 and 6,000 Kelvin.



LED Skylights are capable of emitting light that ranges from 2,500 to 10,000 degrees Kelvin with a color rendering index of 95.

LIGHTING

EML-Circadian Lighting Measurement

EML (Equivalent Melanopic Lux) is a standard set by the International WELL Building Institute that measures the biological impact of light on humans. A minimum of 250 EML is recommended to support healthy circadian rhythms, with higher EML levels providing even greater benefits. Light therapy, with exposure levels of 2,500 lux for 2 hours a day, has been shown to be an effective treatment for Seasonal Affective Disorder (Sloane, 2008).

| | | | | | | | | |
|---|---------|---------|---------|---------|---------|---------|---------|---------|
| CCT (K) | 5700 | 5300 | 5000 | 4500 | 4000 | 3500 | 3000 | 2700 |
| EML | 4789.78 | 4587.48 | 4340.47 | 3920.49 | 3461.00 | 2832.55 | 2272.25 | 1803.69 |
| GLI-LSKY test data from LUX-TSI Ltd. (UK) | | | | | | | | |

Budget friendly

LED Skylights are a cost-effective lighting solution, designed to reduce your operating expenses by eliminating the need for regular maintenance. Once installed, these skylights require no servicing throughout their lifespan, offering long-term savings on both labor and replacement parts. Their energy-efficient design further contributes to lower energy costs, making them a smart investment for any indoor environment. LED Skylights have a minimum lifetime of 50,000 hours.

No functional interference

Unlike natural sunlight, LED Skylights provide full control over your lighting environment without interfering with other light-emitting devices such as projectors. This makes them ideal for offices, classrooms, and presentation spaces. Additionally, they are fully dimmable, allowing you to adjust brightness to suit any occasion or time of day, creating a comfortable and adaptable ambiance.

CONTROLS

Three ways to control your LED Skylight

Dali Protocol for
Commercial Use



Wall Mounted
Controller

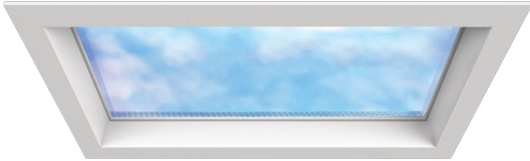


Mobile App

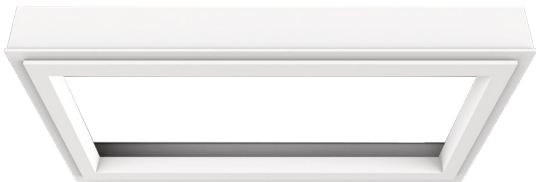


INSTALLATION

Recessed Installation



Surface Installation



Select your style

Our LED panels come in standard sizes (2'x 2' and 2'x 4') that can fit into any ceiling with minimal wiring; no retrofitting is required. For special size requirements please contact us.

Customers can choose from multiple framing options available



Recessed mounted frame
with trim or trimless
option for dual mounting



Recessed mounted frame
with trim or trimless option
for single mounting



Surface mounted frame for
dual mounting



Surface mounted frame
for single mounting

APPLICATIONS

LED Skylights are a versatile solution that can transform any windowless space into a bright, open, and welcoming environment, seamlessly fitting a wide range of locations and applications.

Office



Boost employee productivity while lowering absenteeism, fostering a more efficient and engaged workforce.

Commercial



Enhance the shopping experience by creating a welcoming atmosphere that encourages customers to stay longer and explore more, driving sales.

Hotels & Spas



Transform enclosed spaces by creating the illusion of vast, open areas and boundless skies in environments that lack natural light.

Residential



Illuminate any room in your home without the need for expensive roof modifications, providing a bright and inviting space effortlessly.

Healthcare



Help patients feel at ease and support faster recovery by cultivating a warm, calming atmosphere that promotes relaxation.

Schools



Enhance the learning experience with well-lit, vibrant environments that make studying more enjoyable and engaging for students.



Easy to install

Our LED panels are available in standard sizes, designed to easily fit into any type of ceiling with minimal wiring required.



No functional interference

Unlike natural sunlight, our LED panels do not interfere with other light-emitting devices, such as projectors, and are fully dimmable to suit any lighting needs.



Long lasting

LED Skylights come with a guaranteed lifetime of 50,000 hours (5 years).



Virtually no maintenance required

Reduce costs by eliminating the need for regular maintenance—LED Skylights require no servicing throughout their entire lifespan.